



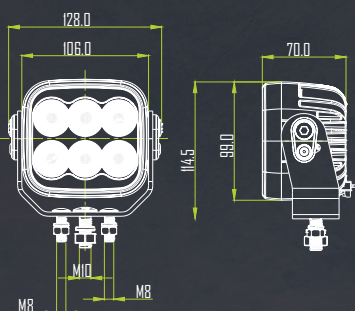
NOVO PRO

WORKLIGHT

ART.NR.:66444

Type of lamp	LED
Type of LED	LP
Pcs LED	6
Voltage	10-32V DC
Theoretical effect (W) 12V	60W
Theoretical effect (W) 24V	60W
Actual effect (W) 12V	3.6A 43.3W
Actual effect (W) 24V	1.78A 42.72W
Light Patterns	N/A
Functions	N/A
Theoretical lumen	5600
Actual lumen	3200
l lux @ m	N/A
Kelvin	5000K
IP-class (IP)	IP67
Beam pattern	Glare-free
Position light	beam
Connection	Built-in DT
Cable length (mm)	500
Material bracket	Stainless steel
Material housing/chassi	Aluminum

Material lens	Polycarbonate
Length (mm)	106/128
Depth (mm)	70
Height (mm)	99
Height including bracket (mm)	114,5
Operating temperature	-40 - +60°C
According to regulation	R10
EMC	ECE R10
Length (mm)	166
Height (mm)	78
Width (mm)	138
Volume (m3)	0,00178
Weight (kg)	1,05
Pcs in master cartonn	12
Length (mm)	345
Height (mm)	290
Width (mm)	170
Volume (m3)	0,017
Weight (kg)	15
Country of origin	China



ART.NR.:66444 - EGIL VERNE AS - VERNE.NO
www.rawlightsgroup.com

